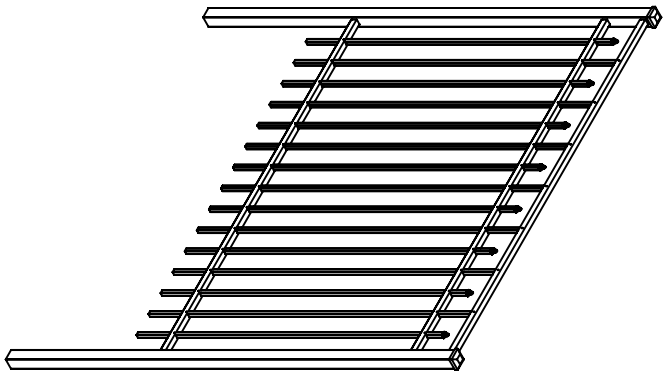
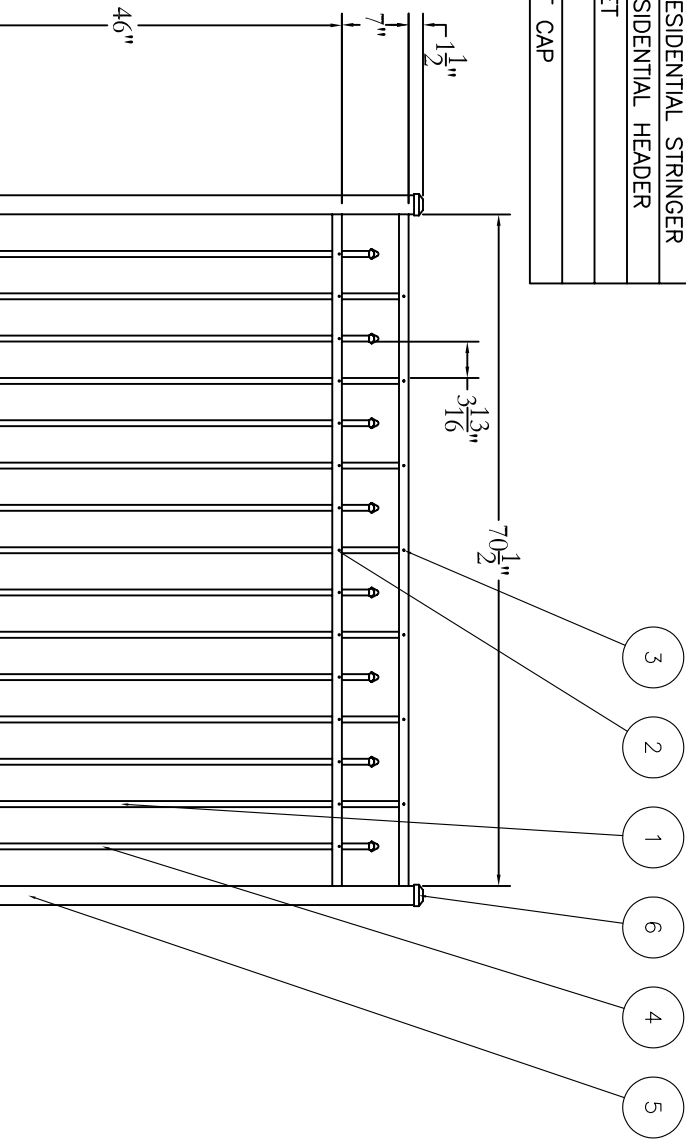


ITEM	QTY	NAME
1	7	R202 - 60" PICKET
2	2	72" - 15 HOLE RESIDENTIAL STRINGER
3	1	72" - 7 HOLE RESIDENTIAL HEADER
4	8	R200 - 60" PICKET
5	2	2" POST
6	2	2" ALUMINUM POST CAP



DATE	BY	DESCRIPTION	REVISION	DATE	BY	APPROVED
NC		INITIAL RELEASE				

South
 Manufacturing Co., Inc.
 Philadelphia, PA 19154
 (800) 344-2242

DRAWING:
 RESIDENTIAL FENCE
 STYLE #200 - 60" HEIGHT

SIZE	DWG NO.	DATE	SHEET	REV
D	RS60U200SN	1-1-05	1 OF 1	NC

© 2005. This drawing may not be altered or reproduced without the permission of Jerth Manufacturing Co., Inc.

