

TST-75S Electric Turnstile



Beat the Traffic

For high performance, nothing beats Boon Edam's TST-75ES turnstile. Ideal for high volume entrances, the TST-75ES turnstile always stays ahead of the pack.

Imagine a turnstile that can handle New York City commuters with ease. The electrical operating mechanism in the TST-75ES is the same one supplied in Boon Edam turnstiles for the transit authorities in New York, Atlanta, Hong Kong and other busy urban centers. Specially designed for high volume traffic and rugged use, this stainless steel electric turnstile offers maximum

reliability and low maintenance. The cushioned, self-centering mechanism of the TST-75ES automatically returns the arm assembly to the home position – regardless of the force used to pass through – which assures an accurate record of passage and traffic count. TST-75ES turnstiles can be set for controlled entry with no exit, free exit or controlled exit.

MODEL TST-75ES provides one-way electrical operation with free exit or no exit

MODEL TST-75ES2 provides independent bi-directional electrical operation



Your **Security.** Our **Solution.**

Security Access

Construction

- Heavy duty modular electrical operating mechanism
- Standard self-centering feature automatically returns arm assembly to home position after each pass
- Cabinet made of durable 16-gauge 304 stainless steel, polished to a 4B finish
- Lockable cover attaches with an internal hinge to allow convenient access
- Two lockable doors conceal anchoring and electrical harness wiring

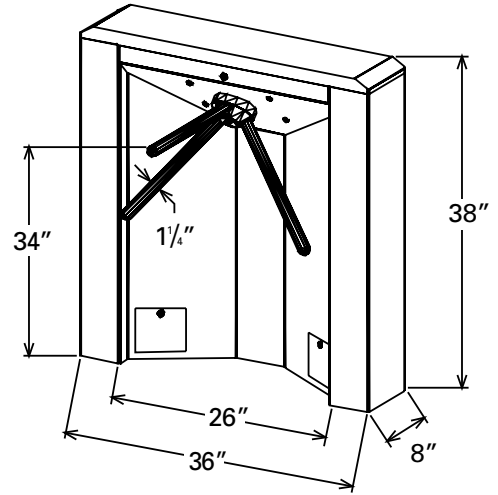
Features & Options

Characteristics	Std	Opt
Fail-lock or Fail-safe	•	
Free or Locked Exit	•	
Independent Entry/Exit Controls	•	
One-Way Electric	•	
Two-Way Electric	•	
Pulse Relay (recommended)		•
Time-Out Relay		•
Serial Port Interface		•
Extended Arms		•
Remote Pushbutton		•
Counter		•
Rotation Detection Switch		•
Mechanical Key Bypass		•
Electronic Key Bypass		•
Red & Green Indicator Lights		•
Coin/Token Operation		•
Platform and Railing		•
Powder Coated Color Choices (RAL reference)		•
Out-of-Use Lock		•
Arm Cover		•
Canvas Turnstile Cover		•
Card Reading Mount		•

Dimensions

Height	Cabinet Width	Length	Passage Space	Shipping Wt.
38"	8"	36"	18" min.	135 lbs.

TST-75ES FOOTPRINT



Technical Characteristics

- Electric system includes low voltage 24 VDC transformer
- Electronic control board will interface with any access control device
- Transformer provides voltage step down from 110 VAC to 220 VAC
- Any combination of fail-lock or fail-safe is available to meet system requirements
- Normally open, momentary dry contact is required to activate each controlled direction

75ES-0107

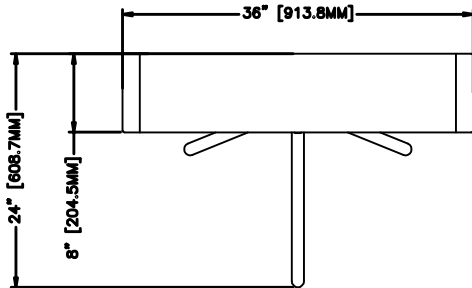


Your Entrance. Our Technology.

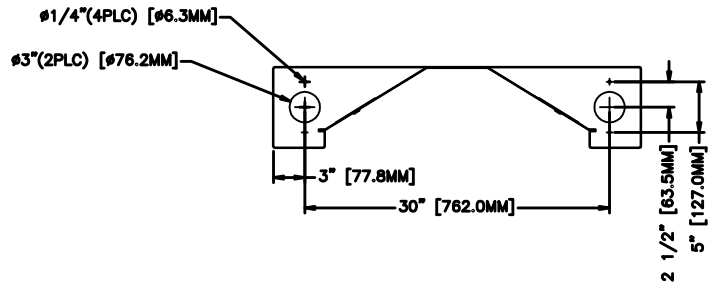
402 McKinney Parkway, Lillington, NC 27546 Tel: (910) 814-8100 Fax: (910) 814-3899 <http://www.boonedam.us>

Reference Drawings

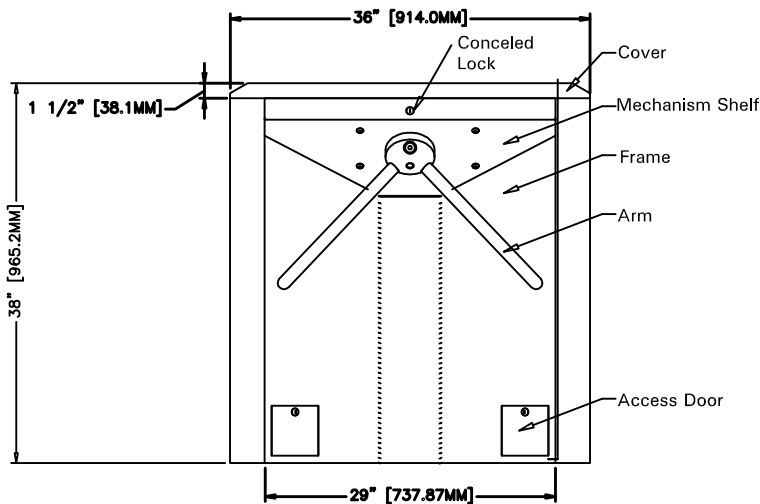
TST-75ES GRAND PRIX ST. STEEL ELECTRIC TURNSTILE



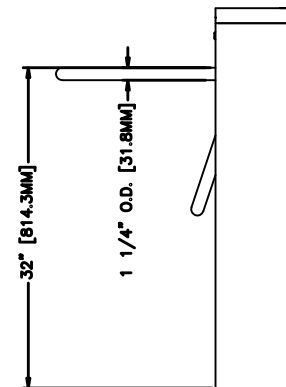
① Plan View



④ Horizontal Section



② Front Elevation



③ Side View

Options:

- Pulse Relay.
- Time-out relay.
- Red and green indicator lights.
- Electric or battery counter.
- Extended arms for larger aisleway.
- Remote release pushbutton.
- Serial port interface for direct PC connection.
- Rotation detection switch.
- Foam rubber arm guards.
- Key override

Installation:

- Turnstile Installs on Finish Floor.
- Floor Must be Dead Level.
- Power Supply from Floor.
- Turnstile is Free-standing.