

# TST-75ERN Round Nose Turnstile



## When looks count

For high volume crowds in an upscale environment, Boon Edam's TST-75ERN turnstiles provide high performance with high style to match. The smooth, attractive appearance of the "round nose" design is complemented by a variety of available finishes and custom tops.

This great-looking turnstile is available in stainless steel, brass or bronze/muntz finishes with matching metal, Corian® or stone tops. But this beauty also comes with "brawn" that measures up. The heavy duty, modular electrical operating mechanism is the same as the one supplied in Boon Edam turnstiles for New York, Hong Kong and other

major metro transit systems worldwide. These turnstiles can be set for controlled entry with free or no exit, or for controlled entry and controlled exit. Any combination of fail-lock or fail-safe is available to meet your operating and building code requirements.

*'For high volume crowds in an upscale environment'*

# Construction

- Cabinets fabricated from durable 14 and 16 gauge sheet metal in either stainless steel, brass or bronze (muntz) material. Standard finish is a #4 stain polish with a clear lacquer coating on the brass and bronze cabinets (other finishes, such as medium or dark statuary, as well as US 10B, also available)
- Top cover fabricated from matching metal or 1" thick Corian®, granite or marble (other stone tops also available)
- Heavy duty modular operating mechanism ensures reliable performance and minimizes maintenance
- Standard self-centering feature automatically returns arm assembly to home position after each pass, regardless of force used to pass through, assuring an accurate count and record of passage
- Two lockable access doors conceal anchoring and electrical harness wiring

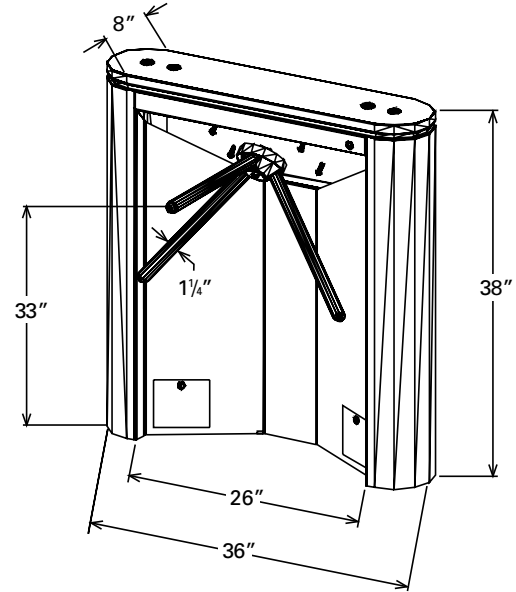
# Features & options

Characteristics	Std	Opt
Fail-lock or Fail-safe	•	
Free or Locked Exit	•	
Two-way Independent Controls	•	
Transformer Step-down – from 110 or 220 VAC	•	
Mechanical Key Bypass – to allow opening of fail-lock direction during power failure		•
Complete Stainless Steel Construction (on TST-75ESRN)		•
Pulse Relay (recommended)		•
Time-Out Relay		•
Rotation Detection Switch		•
Remote Pushbutton		•
Counter - mechanical, electro-mechanical or battery operated		•
Serial Port Interface		•
Electronic Key Bypass - to hold turnstile open, overriding card reader		•
Red & Green Indicator Lights		•
Extended Arms		•
Powder Coated Color (RAL ref) Choices		•
Canvas Turnstile Cover		•
Heavy-duty Foam Sleeves for Arm Cover		•
Out-of-use Lock		•
Alphanumeric Display		•
Coin/Token Operation		•
Second Register		•
Hand Control		•
Platform and Railing		•
Wheels		•

# Dimensions

Height	Width	Length	Passage Space	Wt.
38"	7"	36"	18" minimum	100 lbs.

## TST-75ERN FOOTPRINT



# Technical characteristics

- Designed to interface easily with any access control device
- Electric system includes transformer for low voltage 24 VDC operation
- Transformer provides voltage step down from 110 VAC or 220 VAC
- Fail-lock or fail-safe operation, with free or locked exit
- Normally open, momentary contact closure required to activate turnstile

TST-75ERN-0910



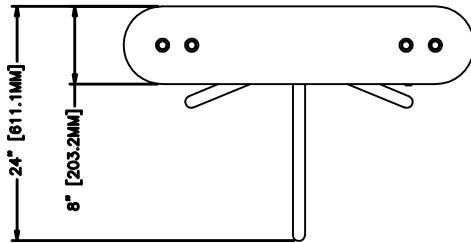


Your Entrance. Our Technology.

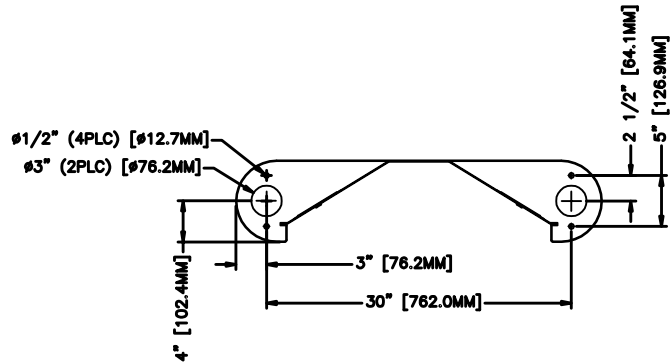
402 McKinney Parkway, Lillington, NC 27546 Tel: (910) 814-8100 Fax: (910) 814-3899 <http://www.boonedam.us>

Reference Drawings

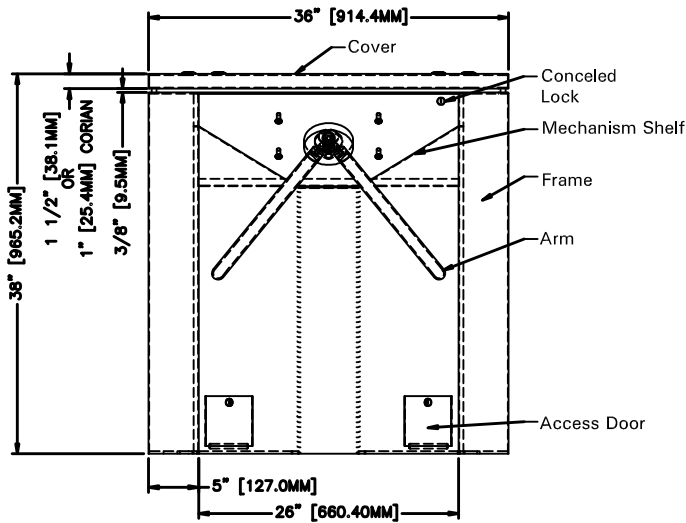
# TST-75ERN GRAND PRIX ROUND NOSE ELECTRIC TURNSTILE



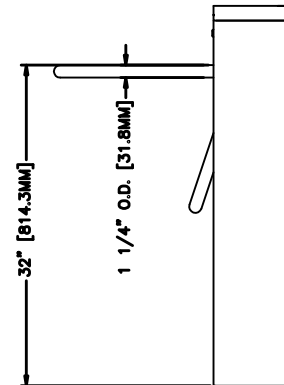
1 Plan View



4 Horizontal Section



2 Front Elevation



3 Side View

### Options:

- Pulse Relay.
- Time-out relay.
- Red and green indicator lights.
- Electric or battery counter.
- Stainless steel, brass or bronze cabinet construction.
- Marble top cover.
- Extended arms for larger aisleway.
- Remote release pushbutton.
- Serial port interface for direct PC connection.
- Rotation detection switch.
- Foam rubber arm guards.
- Key override

### Installation:

Turnstile Installs on Finish Floor.  
Floor Must be Dead Level.  
Power Supply from Floor. Turnstile is Free-standing.