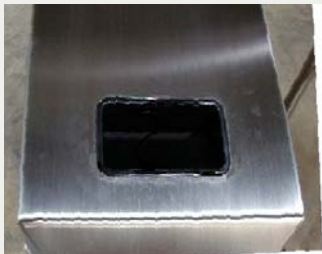


TOMSED Model TUT-65TM

ELECTRONIC TICKET BOX TURNSTILE WITH INTEGRATED TICKETING SYSTEM

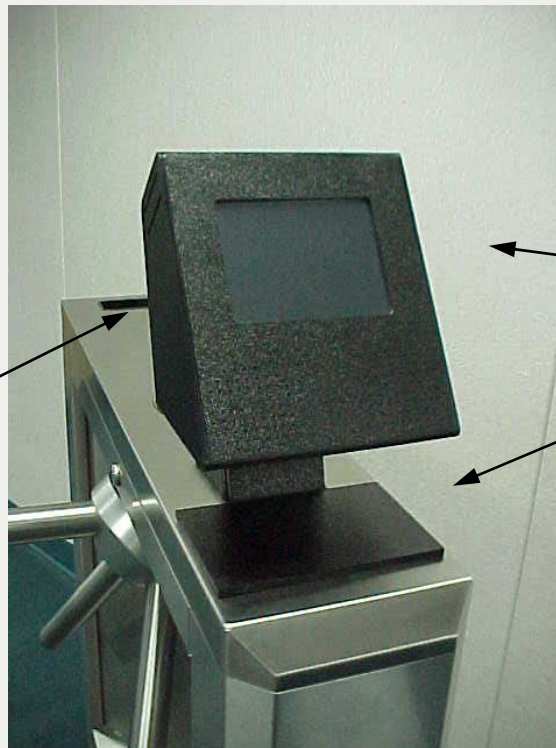
THE WORLDS MOST RELIABLE ADMISSIONS AND CROWD CONTROL TURNSTILES



Ticket Collection Slot
For Manual Operation



Battery Storage Compartment
(with rear access)



Graphical User Display

Ticket Insertion Point



Electronic Control Equipment
Access Doors with battery
recharge outlet

TOMSED introduces a turnstile especially designed for Stadiums, Arenas, Amusement Parks and other ticketing venues. The stainless steel TUT-65TM combines a purpose built electronic turnstile and an admissions system into one compact, durable unit.



TOMSED CORPORATION

420 McKinney Pkwy
Lillington, NC 27546-9336
910-814-3800 Fax: 910-814-3899
800-334-5552 / e-mail: sales@tomsed.com
Internet: <http://www.tomsed.com>

Model TUT-65TM

SCOPE OF OPERATION

- The TUT-65TM series is specifically designed for stadiums and arenas who wish to implement electronic ticket scanning into their admissions control procedures. Ticket scanning can be immediately at installation or at a later date.
- The TUT-65TM is a hard wired, fix mounted turnstile intended for newer facilities who have conduit available for a direct electrical connection.
- The TUT-65TMB is the portable, battery powered version that is particularly suited for existing facilities who do not want to incur the expense of running conduit and cables or those who need the flexibility of movement provided by portable turnstiles.
- Both the TUT-65TM and TUT-65TMB are designed to integrate with Ticketmaster or other ticketing system. Both models are fully field upgradeable and allow initial installation as simple mechanical, counting turnstile with the ability to easily add RF or hard wired ticket scanning at a later date. All necessary mounting provisions, cutouts, compartments and access doors for the electronic ticketing system are included in the base model.

CONSTRUCTION

Turnstile cabinets are supplied in standard 14 and 16 gauge, type 304 stainless steel, polished to a 4B finish. The heavy duty Transit type modular operating mechanism ensures many years of trouble-free performance and reliability. All components are yellow zinc plated to enhance long life. The standard self-centering feature is cushioned by an aircraft quality hydraulic shock absorber and automatically returns the rotating arm assembly to the home position, thereby assuring an accurate count and record of passage.

STANDARD FEATURES

- Stainless Steel cabinet
- Key switch to select electronic or mechanical operation
- Concealed Battery compartment
- Safe, low voltage 12 VDC operation
- Heavy duty Transit type operating mechanism
- Ability to field upgrade to electronic ticket scanning
- Resettable mechanical counter
- Built-in ticket box for non-scanning events
- Ergonomic, user friendly design
- Right-hand or left-hand operation

SPECIFICATIONS

Height: 39 1/2"	Passage Space: 18" minimum	Weight: 130 lbs fixed mounted
Width: 7" cabinet	Length: 32"	200 lbs portable

AVAILABLE OPTIONS

Portable, battery powered operation (TUT-65TMB)
Powder coating to color of choice

Extended arms for larger passage space
Protective cover for inclement weather conditions



Tomsed Corporation

420 McKinney Pkwy

Lillington, NC 27546-9336

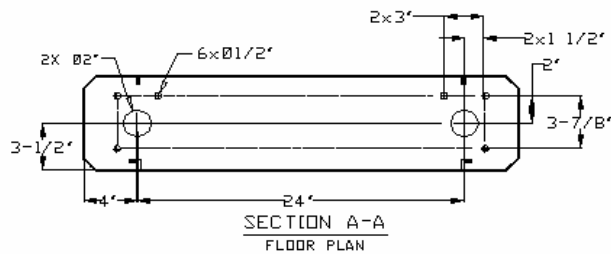
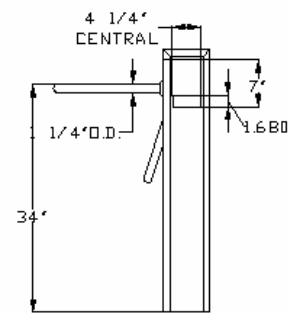
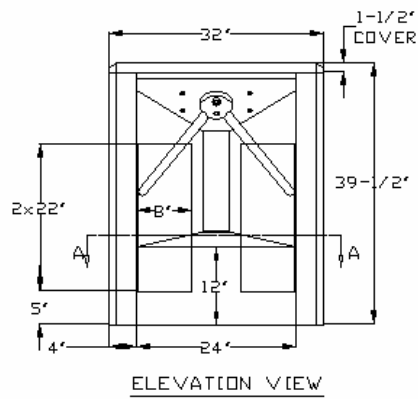
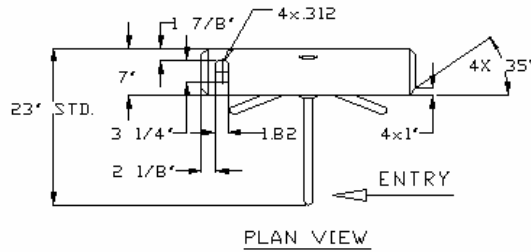
910-814-3800 Fax: 910-814-3899

800-334-5552 / e-mail: sales@tomsed.com

Internet: <http://www.tomsed.com>

TOMSED CORP

MODEL TUT-65TMB TICKET SYSTEM ELECTRONIC REGISTERING TURNSTILE



NOTICE:

The data contained herein is proprietary to Tomsed Corp. This data shall not be duplicated, transferred, made available or used by any third party for any purpose except specifically authorized by Tomsed Corp.