

TUT-60M Mechanical Turnstiles



The Ins & Outs of Crowd Control

When it comes to handling high volume crowds, Boon Edam's TUT-60 mechanical turnstiles have every detail covered. All TUT-60M series turnstiles can be used to control one- or two-way traffic, providing years of reliable, trouble-free operation.

Featuring a heavy duty modular mechanism, TUT 60M turnstiles are ideal for stadiums, arenas or other "busy" settings. These mechanically operated turnstiles are supplied with a rugged, five-digit

resettable register, which ensures an accurate and reliable count of patrons. Available in your choice of cabinet construction.

TUT-60MC – Carbon Steel Cabinet • TUT-60MS – Stainless Steel Cabinet

Your **Security.** Our **Solution.**

Construction

- “S” model cabinets made from 16 gauge 304 stainless steel, polished to a 4B finish
- “C” model” cabinets made from 16 gauge carbon steel, powder coated (black standard; RAL colors optional); have a lockable stainless steel cover with concealed hinges
- Heavy duty modular operating mechanism ensures reliable performance and minimizes maintenance
- Standard self-centering feature automatically returns arm assembly to home position after each pass, regardless of force used to pass through
- All components are cadmium plated for long life
- Two lockable access doors conceal anchoring and electrical harness wiring

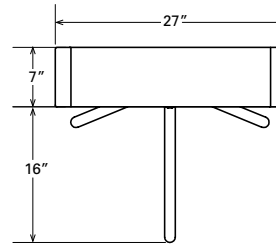
Features & Options

| <i>Characteristics</i> | <i>Std</i> | <i>Opt</i> |
|--|------------|------------|
| Free or Locked Exit | • | |
| Complete Stainless Steel Construction (on TUT-60MS) | • | |
| Rotation Detection Switch | | • |
| Second Counter – for independent count in opposite direction | | • |
| Resettable Counter (no additional cost) | | • |
| Hand Control – spring-loaded knob for temporary locking | | • |
| Extended Arms | | • |
| Powder Coated Color Choices – RAL reference (on TUT-60MC) | | • |
| Canvas Turnstile Cover | • | |
| Heavy-duty Foam Sleeves for Arm Cover | | • |
| Platform & Stainless Steel Railing – for portable turnstile | | • |
| Wheels | | • |
| Non-registering – turnstile without counter | | • |
| Out-of-use Lock | | • |
| Mechanical Key Lock – lock/unlock individual direction | | • |

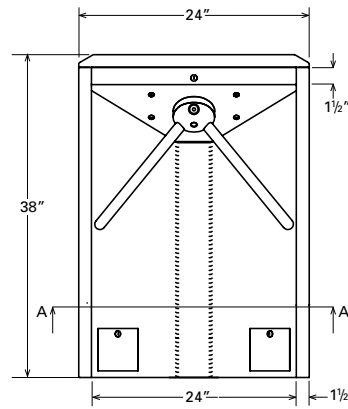
Dimensions

| <i>Height</i> | <i>Cabinet Width</i> | <i>Passage Space</i> | <i>Net Wt.</i> |
|---------------|----------------------|----------------------|----------------|
| 38" | 7" | 18" minimum | 110 lbs. |

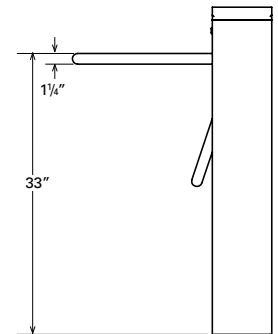
TUT-60M FOOTPRINT



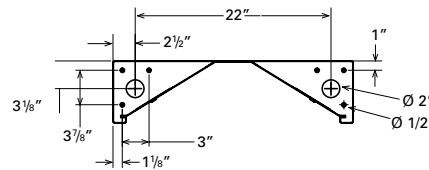
PLAN VIEW



ELEVATION VIEW



SIDE VIEW



FLOOR PLAN

Technical Characteristics

- Can be used for one- or two-way operation
- Exit can be set for always-locked or always-free rotating
- Freestanding operation with optional platform and railing, wheels also available

60M-0107

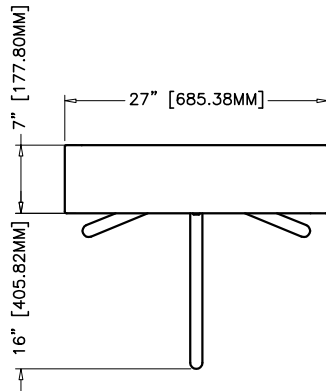


Your Entrance. Our Technology.

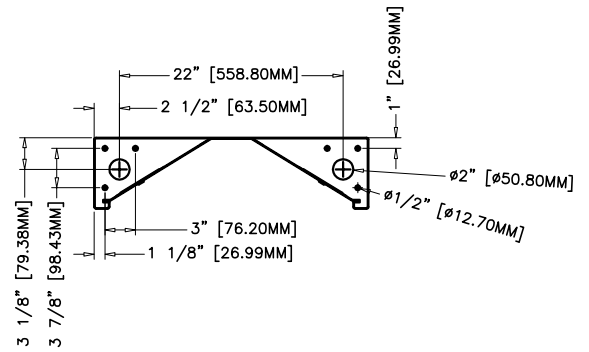
402 McKinney Parkway, Lillington, NC 27546 Tel: (910) 814-8100 Fax: (910) 814-3899 <http://www.boonedam.us>

TUT-60M DELUXE MECHANICAL TURNSTILE

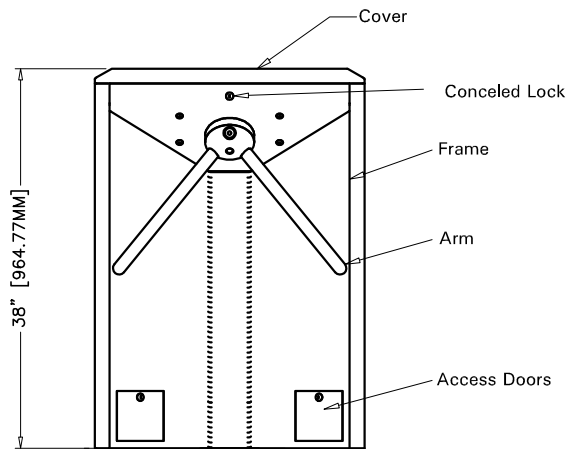
Reference Drawings



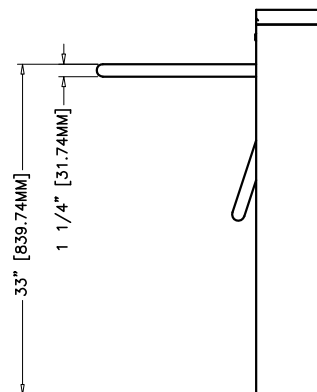
1 Plan View



4 Horizontal Section



2 Front Elevation



3 Side View

Options:

- Rotation Detection Switch.
- Foam Rubber Arm Guards.
- Key override.
- Material: TUT-60MS Stainless Steel.
TUT-60MC Carbon Steel.

Installation:

- Turnstile Installs on Finish Floor.
- Floor Must be Dead Level.
- Power Supply from Floor.
- Turnstile is Free-standing.