

TUT-60E Electric Turnstiles



Easy Come. Easy Go.

Designed to handle high volume crowds with ease, Boon Edam's TUT-60E electrically operated turnstiles feature a heavy duty modular mechanism that makes them ideal for stadiums, arenas or other "busy" settings. These turnstiles can easily control one-or two-way traffic.

Designed to interface with any access control device, these turnstiles can be set for one-way electric with free or locked exit, or for two-way, independently controlled entry/exit operation. They can be supplied

fail-safe, fail-lock or any combination to meet your specific requirements. Choose the TUT-60E Electric Turnstile model that suits your needs.

- TUT-60EC* – Carbon Steel Cabinet • *TUT-60EC2* – 2-Way Operation, Carbon Steel
- TUT-60ES* – Stainless Steel Cabinet • *TUT-60ES2* – 2-Way Operation, Stainless Steel

Your **Security.** Our **Solution.**

Construction

- "S" model cabinets made from 16 gauge 304 stainless steel, polished to a 4B finish
- "C" model cabinets made from 16 gauge carbon steel, powder coated (black standard; RAL colors optional); have a lockable stainless steel cover with concealed hinges
- Heavy duty modular operating mechanism ensures reliable performance and minimizes maintenance
- Standard self-centering feature automatically returns arm assembly to home position after each pass, regardless of force used to pass through
- All components are cadmium plated for long life
- Two lockable access doors conceal anchoring and electrical harness wiring (electric models)

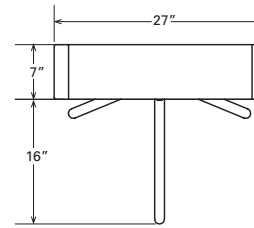
Features & Options

Characteristics	Std	Opt
Fail-lock or Fail-safe	•	
Free or Locked Exit (on TUT-60ES & 60EC)	•	
Two-way Independent Controls (on TUT-60ES2 & 60EC2)	•	
Transformer Step-down – from 110 or 220 VAC	•	
Complete Stainless Steel Construction (on TUT-60ES & ES2)	•	
Pulse Relay (recommended)		•
Time-Out Relay		•
Rotation Detection Switch		•
Remote Pushbutton		•
Counter - mechanical, electro-mechanical or battery operated		•
Serial Port Interface		•
Electronic Key Bypass - to hold turnstile open, overriding card reader		•
Mechanical Key Bypass - to keep fail-lock open during power failure		•
Red & Green Indicator Lights		•
Extended Arms		•
Powder Coated Color (RAL ref) Choices (on TUT-60EC & 60EC2)		•
Canvas Turnstile Cover		•
Heavy-duty Foam Sleeves for Arm Cover		•
Platform & Railing		•
Out-of-use Lock		•

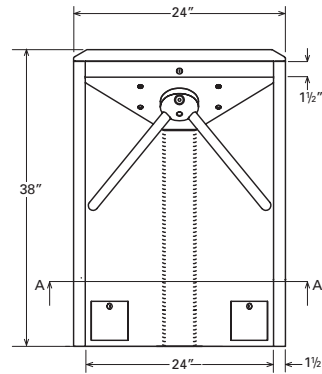
Dimensions

Height	Cabinet Width	Passage Space	Net Wt.
38"	7"	18" minimum	110 lbs.

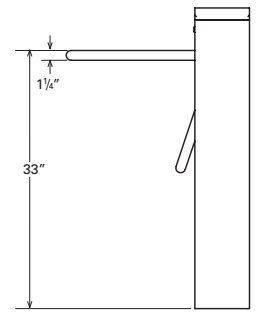
TUT-60E FOOTPRINT



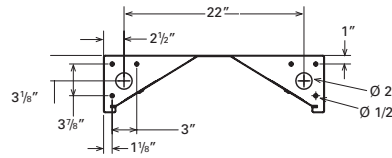
PLAN VIEW



ELEVATION VIEW



SIDE VIEW

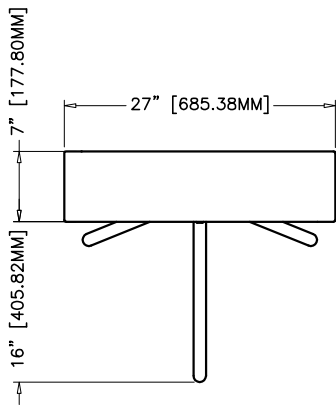


FLOOR PLAN

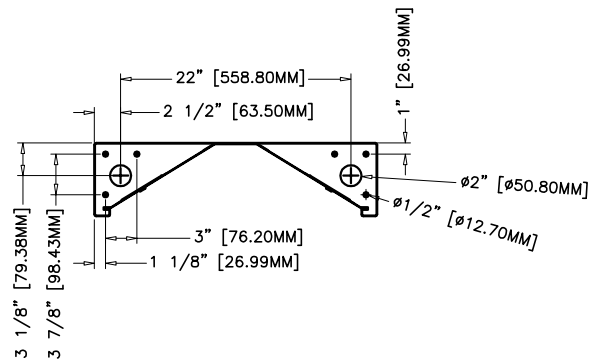
Technical Characteristics

- Electric system includes transformer for low voltage 24 VDC operation
- Interface with any reader or other access control device
- Transformer provides voltage step down from 110 VAC or 220 VAC
- Fail-lock or fail-safe operation, with free or locked exit
- Normally open, momentary contact closure required to activate turnstile

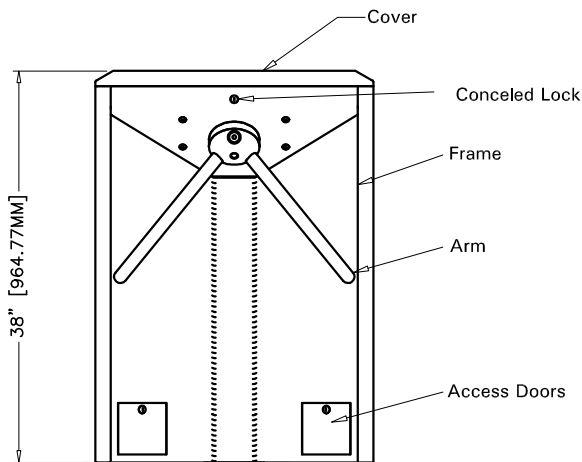
60E-0207



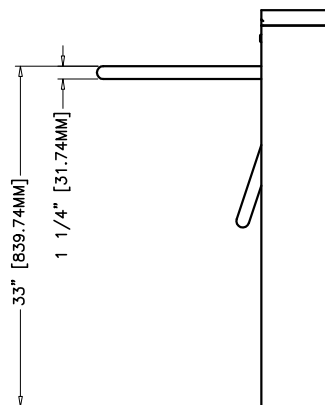
1 Plan View



4 Horizontal Section



2 Front Elevation



3 Side View

Options:

- Pulse relay.
- Time-out relay.
- Red and green indicator lights.
- Electric or Battery counter.
- Extended arms for larger aisleway.
- Remote Release Pushbutton.
- Serial Port Interface for direct PC Connection.
- Rotation Detection Switch.
- Foam Rubber Arm Guards.
- Key override.
- Material: TUT-60ES Stainless Steel.
TUT-60EC Carbon Steel.
- One way or two way.

Installation:

- Turnstile Installs on Finish Floor.
- Floor Must be Dead Level.
- Power Supply from Floor.
- Turnstile is Free-standing.