

TUT-50T/TUT-60T – Coin/Token Operated Turnstiles



In the Top Slot

When it comes to coin/token operated turnstiles, Boon Edam's TUT-50T and TUT-60T rank at the top. Equipped with an electronic coin or token acceptor, these turnstiles are ideal for high volume applications with automatic fare/admission charge collection.

All TUT-50T/60T turnstiles have an electronic coin acceptor unit that can be set for any size, from a dime to 1-1/4" diameter. The acceptor unit automatically validates the proper token or coin(s) deposited and allows entry. Incorrect coins or tokens are rejected, and the coin chute returns them to the user. The coin compartment (with locked door accessible only by

authorized personnel) is an integral part of the heavy steel pedestal. Featuring rugged construction and a heavy duty, "transit type" operating mechanism, these top quality turnstiles provide years of reliable performance and trouble-free operation – even in tough environments, indoors or out.

Construction

- Mechanism housing constructed from heavy gauge 3/16" carbon steel, finished with a rust and wear resistant black (RAL colors optional) textured powder coating (on 50T)
- Housing cover made from 16 gauge polished stainless steel; all moving parts covered by a smooth stainless steel panel (on 50T)
- Pedestal made from 7 gauge carbon steel (polished stainless steel optional) (on 50T)
- Operating mechanism consists of precision machined, interchangeable parts made from high quality steel (no cast iron parts used)
- Standard self-centering feature automatically returns arm assembly to home position after each pass, regardless of force used to pass through
- Portable turnstile option includes skid-proof heavy steel plate platform and aluminum railing

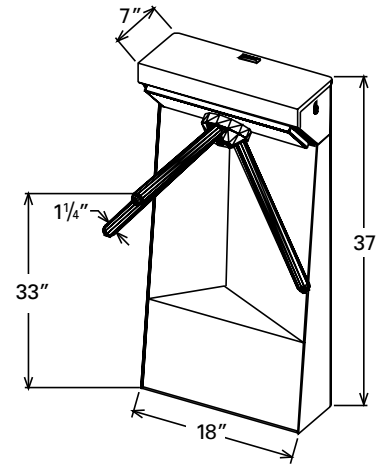
Features & Options

Characteristics	Std	Opt
Fail-lock or Fail-safe	•	
Free or Locked Exit	•	
Transformer Step-down – from 110 or 220 VAC	•	
Mechanical Counter	•	
Electro-mechanical or battery-operated counter		•
Multi-coin acceptor – accepts up to 5 different coins totaling a set value		•
Coin accumulator – accepts multiples of same coin/token		•
Coin Collection Box	•	
Rotation Detection Switch		•
Remote Pushbutton		•
Red & Green Indicator Lights		•
Complete Stainless Steel Construction		•
Powder Coated Color (RAL ref) Choices		•
Extended Arms		•
Canvas Turnstile Cover		•
Heavy-duty Foam Sleeves for Arm Cover		•
Platform & Railing (for portable turnstile)		•
Wheels		•
Key Override		•

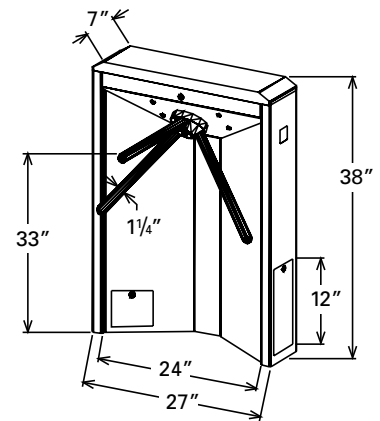
Dimensions

Model	Height	Width	Depth	Weight	
				Standard	Portable
TUT-50T	37"	23"	7"	120 lbs.	185 lbs.
TUT-60T	38"	27"	7"	120 lbs.	185 lbs.

TUT-50T FOOTPRINT



TUT-60T FOOTPRINT



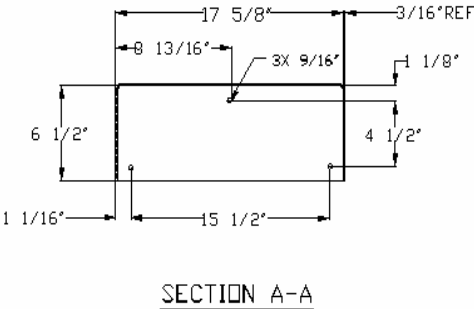
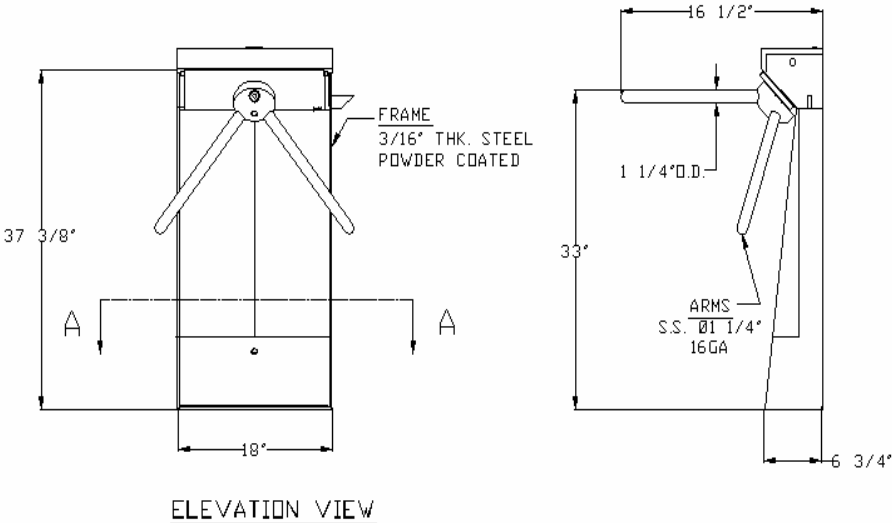
Technical Characteristics

- Electric system includes transformer for low voltage 24 VDC operation
- Transformer provides voltage step down from 110 VAC or 220 VAC
- Reset system and access control interface
- Fail-lock or fail-safe operation, with free or locked exit
- Activation via momentary, isolated normally open dry contact closure, when valid token/coin(s) deposited

50T/60T-1006

TOMSED CORP

MODEL TUT-50T TOKN-TAKR



NOTICE:
The data contained herein is proprietary to Tomsed Corp. This data shall not be duplicated, transferred, made available or used by any third party for any purpose except specifically authorized by Tomsed Corp.