

# TUT-50E Electric Turnstile



## In with the In Crowd

For easy one-direction access control, nothing's more popular than Boon Edam Tomsed's TUT-50E Electric Turnstile. This universal turnstile is the ideal choice for controlling the everyday incoming crowd.

The TUT-50E is an electrically operated turnstile that controls one direction of traffic through an access control device. It's designed for easy interfacing with any card access or other monitoring device. Operation of the TUT-50E can be either fail-lock or fail-safe, with always locked or always free-rotating

exit. A self-centering mechanism cushioned by hydraulic shock absorber automatically returns the arm assembly to the home position – no matter how much force was used to pass through. Turnstiles automatically relock after each rotation, so access is restricted to one user at a time.

*This universal turnstile is the ideal choice for controlling the everyday incoming crowd.*

Your **Security.** Our **Solution.**



Security Access

# Construction

- Housing unit fabricated from 3/16" heavy-gauge carbon steel
- Housing cover and arms made from 16-gauge polished stainless steel
- Pedestal fabricated from 7-gauge carbon steel (polished stainless steel optional)
- Standard finish is a rust and wear resistant black powder coating
- All fasteners and moving parts covered by a smooth, stainless steel safety panel with black power coating
- Standard self-centering feature automatically returns arm assembly to home position after each pass

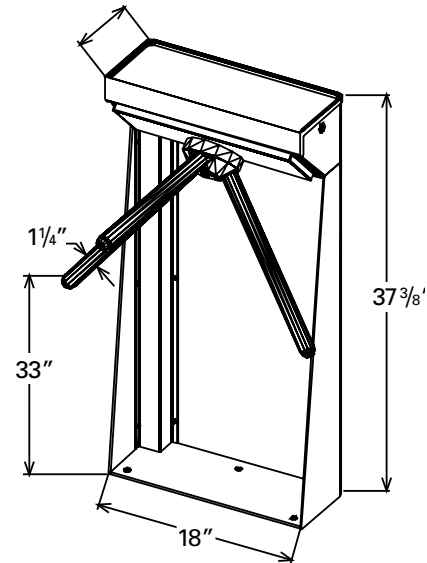
# Features & Options

Characteristics	Std	Opt
Fail-lock or Fail-safe	•	
Free or Locked Exit	•	
Transformer Step-down – from 110 or 220 VAC	•	
Pulse Relay (recommended)		•
Time-Out Relay		•
Rotation Detection Switch		•
Remote Pushbutton		•
Counter		•
Serial Port Interface		•
Electronic Key Bypass (to hold turnstile open, overriding card reader)		•
Mechanical Key Bypass (to keep fail-lock open during power failure)		•
Red & Green Indicator Lights		•
Extended Arms		•
Complete Stainless Steel, including Pedestal and Housing (Model TUT-50ES)		•
Powder Coated Color Choices (RAL reference)		•
Platform and Railing		•
Lockable Wiring Cavity		•
Out-of-Use Lock		•
Canvas Turnstile Cover		•
Heavy-duty Foam Sleeves for Arm Cover		•
Vanity Wiring Cover		•

# Dimensions

Height	Width	Depth	Shipping Wt.
37-3/8"	23" (18" passage)	18"	100 lbs.

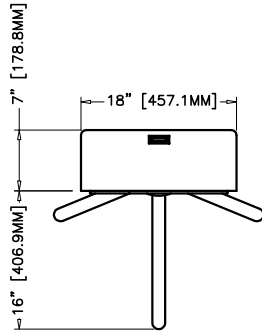
TUT-50E FOOTPRINT



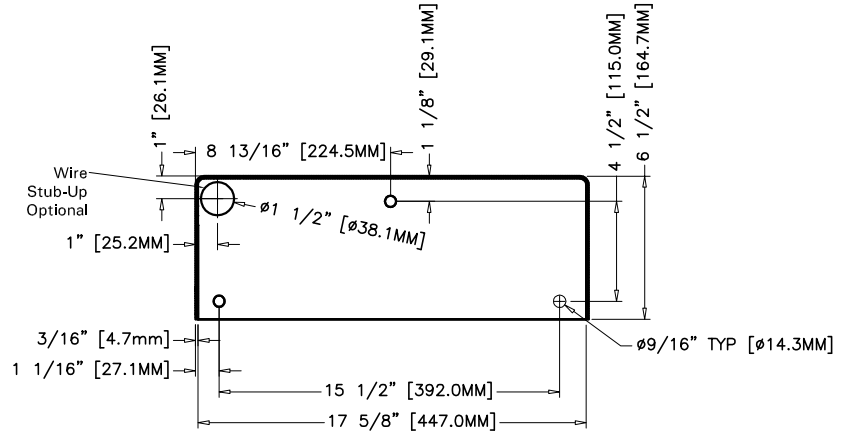
# Technical Characteristics

- Electric system includes transformer for low voltage 24 VDC operation
- Reader interface with any access control device
- Transformer provides voltage step down from 110 VAC to 220 VAC
- Fail-lock or fail-safe operation, with free or locked exit
- Normally open, momentary contact closure required to activate turnstile; circuit load presented is maximum 24 VDC at 1 amp

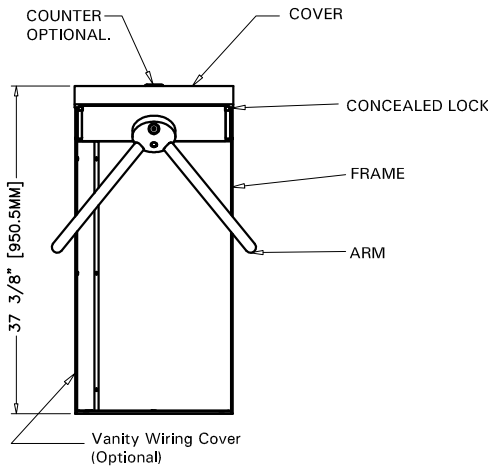
50E-0107



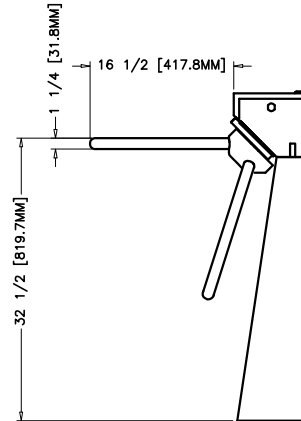
1 Plan View



4 Floor Plan  
Horizontal Section



2 Front Elevation



3 Right Elevation

### Options:

- Pulse relay.
- Time-out relay.
- Red and green indicator lights.
- Electric or Battery counter.
- Color of Choice.
- Extended arms for larger aisleway.
- Remote Release Pushbutton.
- Serial Port Interface for direct PC Connection.
- Rotation Detection Switch.
- Foam Rubber Arm Guards.
- Key override.

### Installation:

- Turnstile Installs on Finish Floor.
- Floor Must be Dead Level.
- Power Supply from Floor.
- Turnstile is Free-standing.