

THT-100 Full Height Turnstile (3-Section)



Spacious full height security

Boon Edam's THT-100 full height turnstiles are ideal for high-security, sensitive areas, indoors or out. The THT-100 three-arm model offers 120-degrees of entry area, creating maximum space and comfort while maintaining maximum security.

The THT-100 series of full security operated turnstiles are designed for applications where unsupervised security and access control are desired. Mechanism can be mechanical or self-centering and electrically operated. They can operate with one direction controlled and the opposite direction free or locked – or with both directions controlled.

The electronic control boards will interface with any access control device. Turnstiles can be supplied fail-safe, fail-lock or any combination to meet your specific requirements. Available in a variety of finishes so you can choose the model that suits your needs.

'Three-arm model offers users space and comfort'

Your **Security.** Our **Solution.**

Construction

- Turnstiles consist of rotor assembly, shield assembly, barrier section, mechanism housing and ceiling plate
- Designed to withstand tough conditions, all materials used in fabrication meet ASTM standards
- Open construction shield assembly design eliminates “claustrophobic” effect and allows visual security
- Sealed top and bottom bearings ensure free and easy rotation, even in challenging environments; sealed-thrust type bottom bearing is waterproof, dust proof and self-lubricating
- Rotor assembly includes three rotor posts, each with 12 arms spaced 5 1/8” apart (too close to allow “crawl-through”)
- Standard self-centering feature automatically returns rotor assembly to home position after each pass, regardless of force used to pass through

Features & options

Characteristics	Std	Opt
Fail-lock or Fail-safe [for electrical direction(s)]	•	
Free or Locked Exit [for mechanical direction]	•	
Pulse Relay	•	
Time-Out Relay	•	
Out-of-Use Lock		•
Rotation Detection Switch		•
Remote Pushbutton		•
Hydraulic Speed Control		•
Key Bypass*		•
Home Position Switch		•
Red & Green Indicator Lights		•
Heel Protectors		•
Card Reader Box		•
Custom Powder Coated Color (RAL ref) Choices		•
Complete Stainless Steel Construction		•
Rotor Covers		•

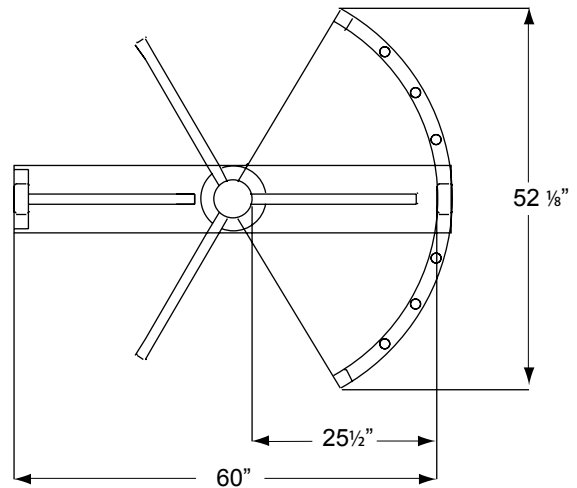
*Key Bypass is standard with a Fail Lock configuration.

Model	Description
THT-100	Mechanically operated
THT-100E	Electrically operated
THT-100C	Hot-dipped galvanized steel
THT-100CP	Powder coated steel
THT-100A	Anodized aluminum w/stainless steel arms
THT-100S	All stainless steel

Dimensions

Model	Height	Width	Depth	Interior Height	Shipping Wt.
THT-100	89"	60"	52 1/8"	81"	700 lbs.
THT-100E	89"	60"	52 1/8"	81"	750 lbs.

THT-100(3) FOOTPRINT



Technical specifications

Power supply ¹	110 VAC (220 VAC optional), 50/60 Hz Converted to 24 Volt
Power consumption ¹	Less than 1 amp at 110 VAC
Working temperature	5°F to 110°F
Connection	The electrical full height turnstile communicates with most authorization systems using potential free contacts.

¹Only for electrical models

