

THT-100EL and TL Transparent Full Height Turnstiles



THT-100EL



THT-100TL

Full height security with style

With Boon Edam's THT-100 transparent turnstiles, you don't have to sacrifice aesthetics for high security entrance control. Transparent arms and shields create an open appearance and all models are compatible with any access control system.

THT-100EL

Utilizes clear arms and a curved acrylic shield assembly. A full stainless steel ceiling canopy provides the clean, finished look of a revolving door. Optional square stainless steel ceiling canopy creates revolving door look.

THT-100TL

Transparent tandem turnstile combines clear arms and curved acrylic shield with heavy duty construction for exceptional durability. Has a full rectangular stainless steel ceiling canopy.

'Designed for aesthetic appeal to complement any decor'

Construction

- THT-100EL & THT-100TL: Available in stainless steel, anodized or powder coat. Arms are fabricated from 1-1/4" x 3" thick transparent material for maximum durability and strength. Maximum open space between arms is 5-1/4" to prevent access.
- All materials meet ASTM standards.
- Hydraulic dampener controls rotation speed, ensures smooth operation, reduces vandalism and increases operating life even under the toughest conditions.
- Sealed top and bottom bearings provide free, easy rotation even in challenging environments.
- Electric turnstiles use a heavy duty electromechanical ratchet and pawl operating mechanism to restrict traffic flow.

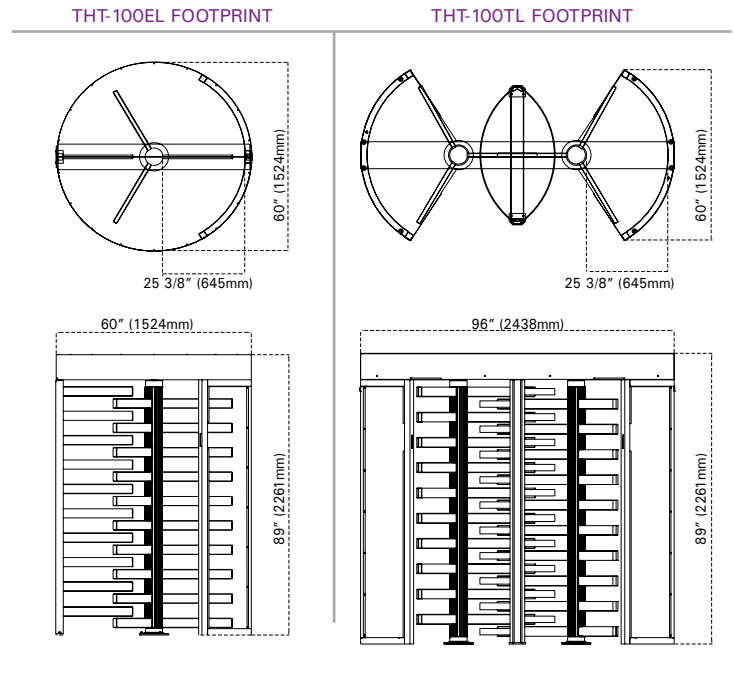
Features & options

Characterics	THT-100EL		THT-100TL	
	Std	Opt	Std	Opt
Fail-lock or Fail-safe for electrical direction)	•		•	
Free or Locked Exit (for mechanical direction)	•		•	
Full Indoor Canopy	•		•	
Pulse Relay	•		•	
Time-Out Relay	•		•	
Hydraulic Speed Control	•		•	
Red & Green Indicator Lights	•		•	
Rotation Detection Switch		•		•
Remote Pushbutton		•		•
Key Bypass*		•		•
Home Position Switch		•		•
Heel Protectors		•		•
Card Reader Box		•		•
Custom Powder Coated Color (RAL ref) Choices		•		•

*Key Bypass is standard with a Fail Lock configuration.

Dimensions

Model	Height	Width	Depth	Interior Height	Shipping Wt.
THT-100EL	89"	60"	60"	81"	1000 lbs.
THT-100TL	89"	96"	60"	81"	2200 lbs.

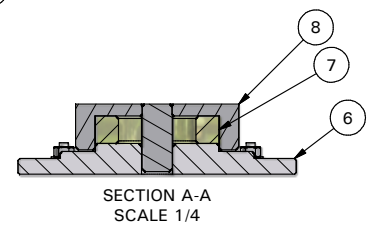
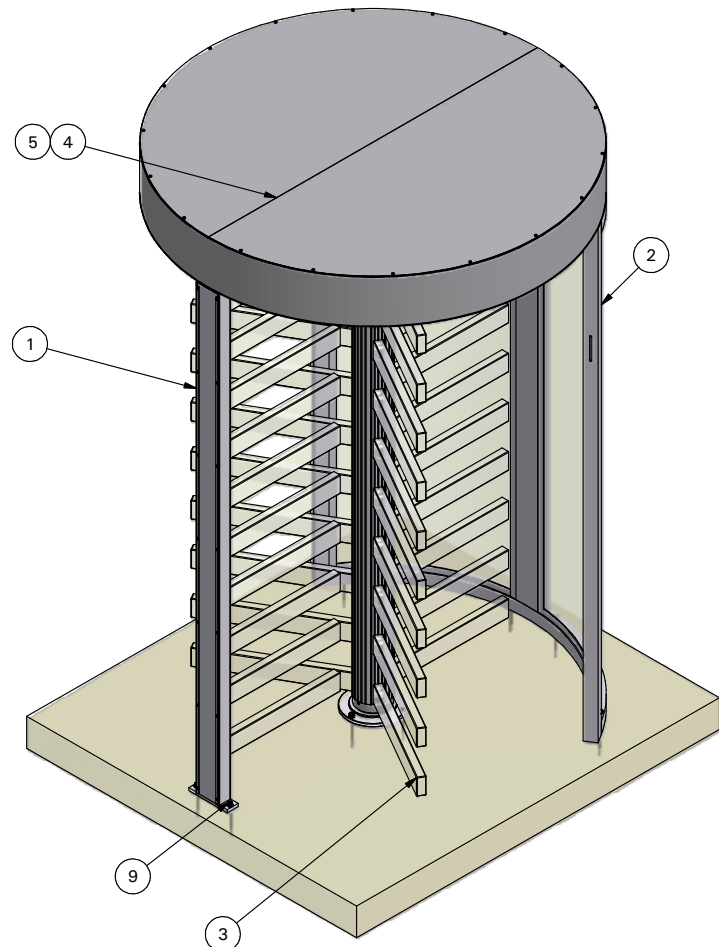
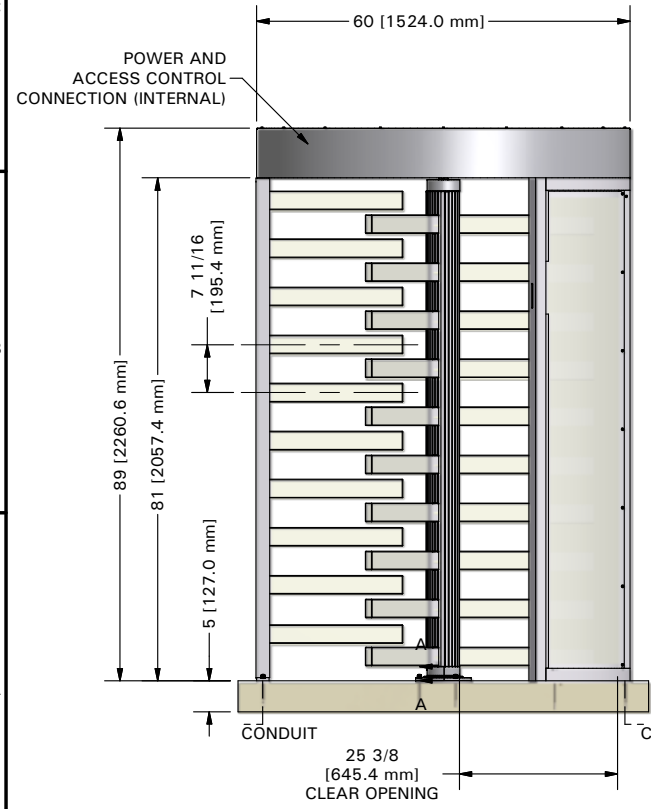
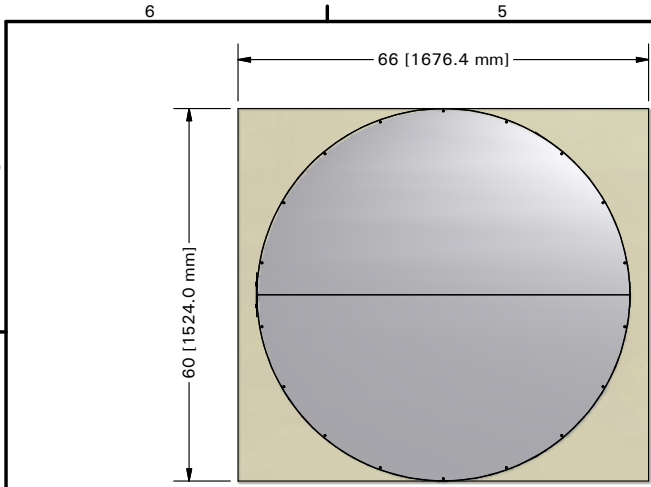


Technical specifications

Power supply ¹	110 VAC (220 VAC optional), 50/60 Hz Converted to 24 Volt
Power consumption ¹	Less than 1 amp at 110 VAC
Working temperature	5°F to 110°F
Connection	The electrical full height turnstile communicates with most authorization systems using potential free contacts.

¹Only for electrical models





GENERAL NOTES:

THT-100EL = 1 DIRECTION ELECTRICALLY CONTROLLED.
 THT-100EL2 = 2 DIRECTIONS ELECTRICALLY CONTROLLED.

MINIMUM PAD SIZE SHOWN. MUST BE LEVEL WITHIN 1/4".

BRACE BARRIER POST AT TOP TO ADJACENT SURFACE.

ALLOW 8" [203MM] FOR REMOVAL OF LIFT-OFF COVER.
 ALTERNATE COVERS AVAILABLE.

ELECTRICAL NOTES:

POWER SERVICE OPTIONS:

1. 24 VDC
2. 110 VAC SINGLE PHASE
3. 220 VAC SINGLE PHASE 50/60HZ
4. 220 VAC DUAL PHASE 50/60HZ

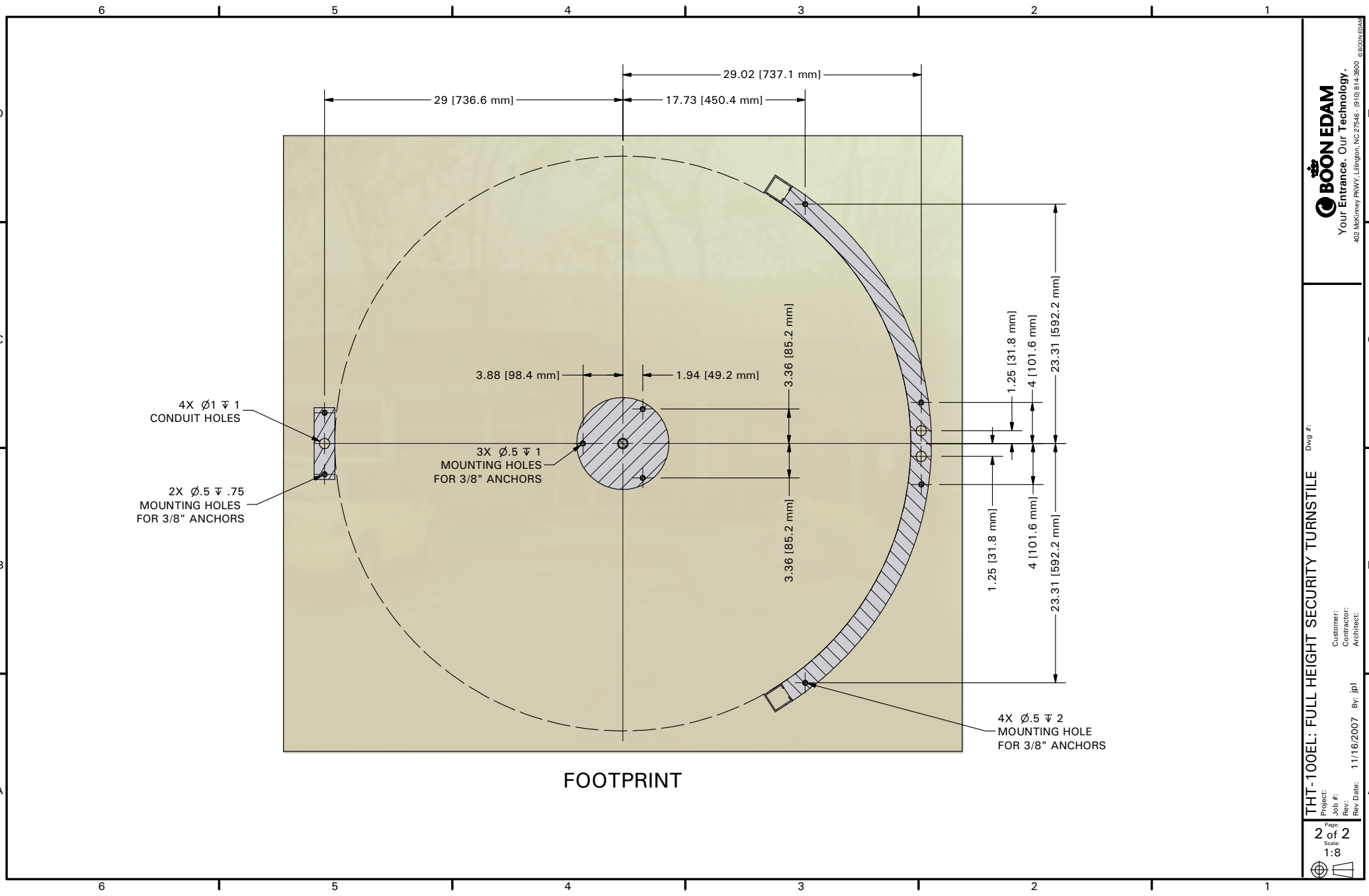
15A MAINS SERVICE REQ'D

4 LOCATIONS AVAILABLE FOR CONDUIT ACCESS.

AUTHORIZATION, FIRE ALARM REQUIRES DRY CONTACT FROM ACCESS CONTROL.

CODED NOTES:

1. BARRIER ASSEMBLY, WELDED - ANODIZED ALUMINUM
2. SHIELD ASSEMBLY, WELDED - ANODIZED ALUMINUM WITH LEXAN PANELS
3. ROTOR ASSEMBLY (3) - ANODIZED ALUMINUM WITH LEXAN ARMS
4. ROUND CANOPY - STAINLESS STEEL
5. MECHANISM CHANNEL - STAINLESS STEEL
6. BASE PLATE - ANODIZED ALUMINUM
7. BOTTOM BEARING
8. BOTTOM FLANGE
9. ANCHOR BOLTS (9), PROVIDED



BOON EDAM
Your Entrance. Our Technology.
402 McKinney PKWY., Lillington, NC 27546 - (910) 814-3600 © BOON EDAM

TH-100EL: FULL HEIGHT SECURITY TURNSTILE Dwg #:

Project: _____
Job #: _____
Rev: _____
Rev Date: _____

Customer: _____
Contractor: _____
Architect: _____

11/16/2007 By: jpl

Page: 2 of 2
Scale: 1:8